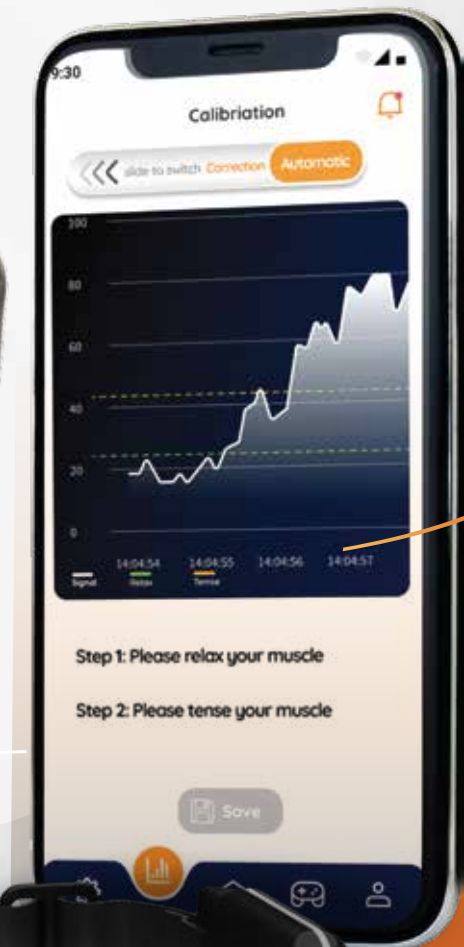




VULCAN AUGMETICS

PIONEERING HUMAN AUGMENTATION TECHNOLOGY





COMPANY OVERVIEW

We are a global innovation award finalist and are fully certified as medical device Class A manufacturer.

Vulcan Augmetics's products are available in more than 8 emerging markets from 2024.

Vulcan Augmetics develops and manufactures advanced prosthetics solution that are adaptive, customizable and affordable.

Founded in 2017 by a team of talented engineers and industry experts, our mission is to make innovative solutions in prosthetics and assistive tech accessible to all patients in emerging markets.





VULCAN MULTI-GRIP MYOELECTRIC HAND

The hand offers 6 main grips with 360° wrist rotation, advanced control system and a very simplified fitting process that is truly accessible and serviceable to patients and clinicians anywhere in the world.



● **3 thumb positions**

● **0,5s fast grip speed**

● **5 minutes smart calibration via App**

● **360° wrist rotation**

● **Works on > 90% patient's stump conditions**

● **Highly sensitive & accurate signal**

6 grips for essential daily activities



GRIP PATTERNS



HOOK GRIP



CARD GRIP



OPEN PALM



POWER GRIP



TRIPOD GRIP



PRECISION GRIP



Practical for both delicate and heavy-duty tasks





ADVANCED SENSOR SYSTEM

Vulcan multi-grip myoelectric hand is controlled by its advanced sensor system - *Myoband*

Truly adaptive to each's patient biosignal



- No socket integration needed.
- Highly sensitive and accurate signals.
- Compatible with >90% stumps and nerve conditions



Any clinician or patient can calibrate
Vulcan Myoband in under 15 minutes
with minor training





VULCAN APP

Available on both Android and iOS

**Customize Hand
performance**

Calibrate and customize
sensor biosignal

**Access Vulcan exclusive
Remote Rehab program**

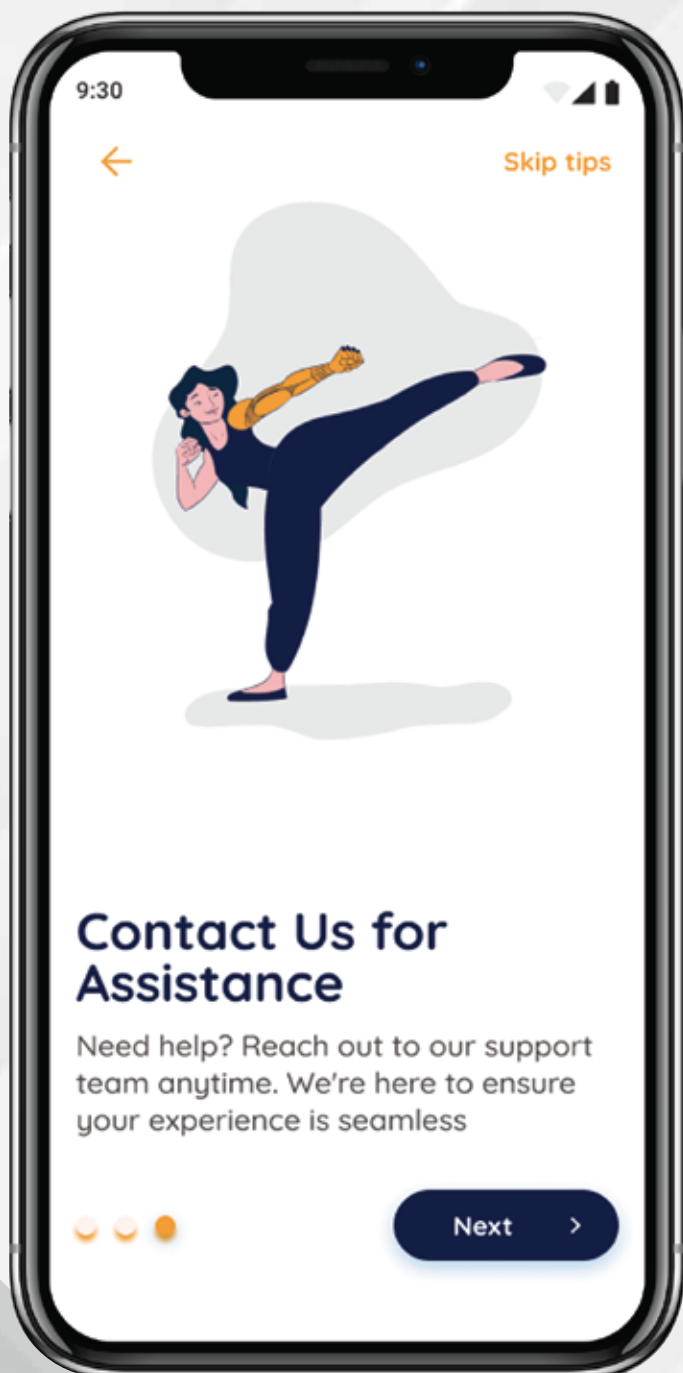
Monitor muscle strength
data and hand usage

**Request Technical
Support**



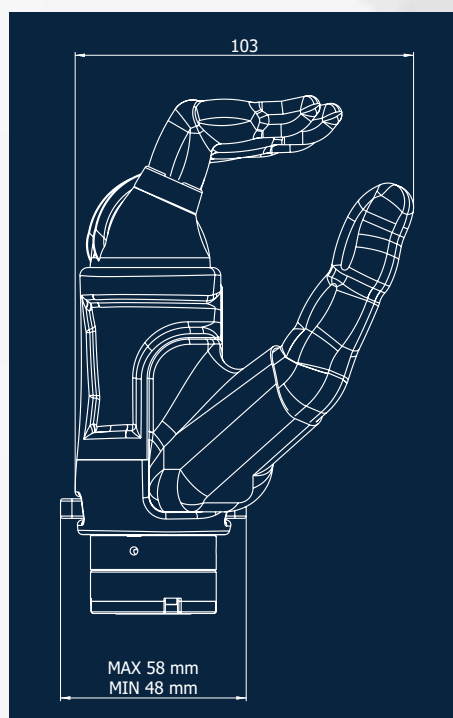
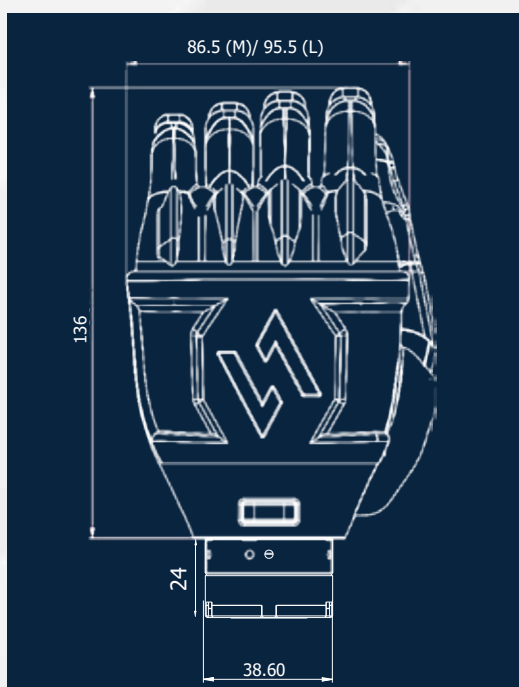


Designed to bring industry-leading experience in fitting, rehab and daily use of Vulcan products to patients and clinicians around the world

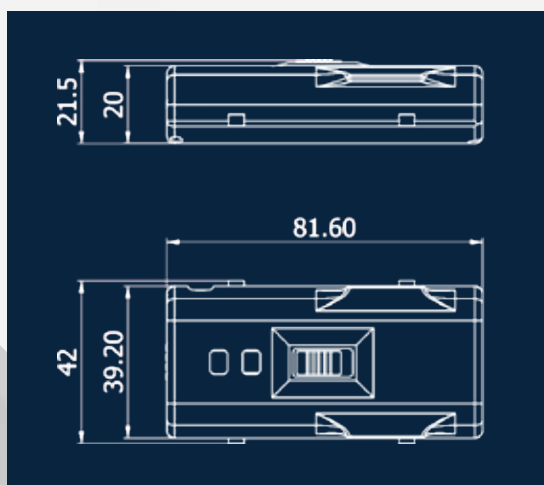




TECHNICAL SPECIFICATION



HAND & WRIST



BATTERY



Hand weight
450g



Battery
7,4V
2000mAh



Adjustable grip speed
from 0,5s



COMPLETE KIT

Full solution inside one box -
serviceable anywhere in the world



Hand

Jigs



Dummies



Battery



Wrist



Myoband



Quick Tools



WARRANTY POLICY

Parts	Components	Warranty Duration
Hand	Hand Frame	2 years
	Hand Cover	1 year
	Hand Electronics	1 year
	Silicon Parts	6 months
Wrist	Wrist Connector	2 years
Control System	Myoband	1 year
	BLE Adapter	1 year
Battery	Battery	1 year



**PATIENT
TESTIMONIALS**





Michal - 47 aged - Poland



“ I sadly had to give up going to the gym and doing sporty activities since my accident 9 years ago. But with Vulcan arm now, I can hit the gym again! I'm happy to come back to living a more active lifestyle, getting fitter and taking care of my wife and 3 kids with more ease and fun It's such a practical and smart solution that I wish I've found Vulcan earlier.”



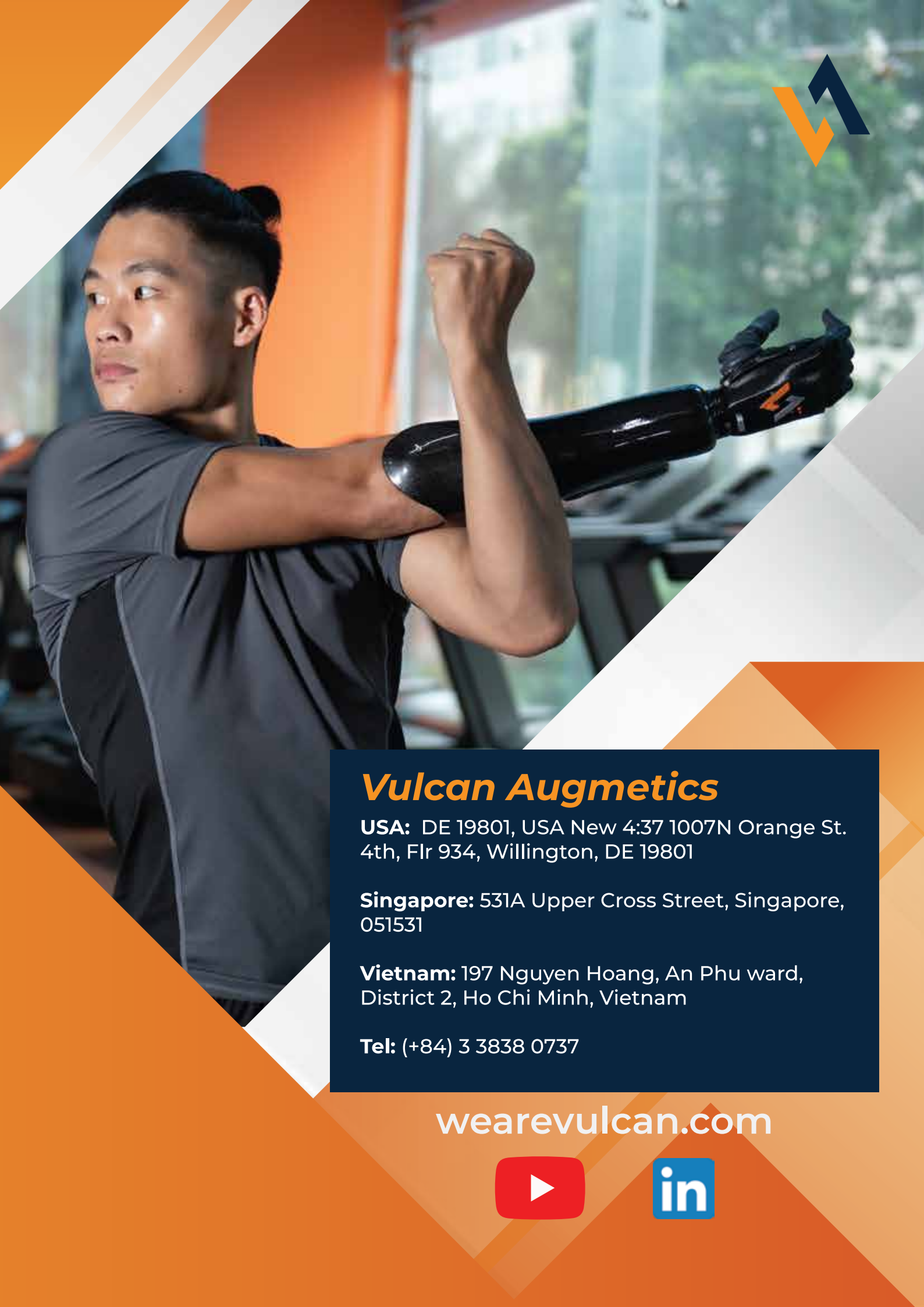


Anh Dũng - 55 aged - Ha Noi



Dũng lost his hand in 1990s due to mine explosion
He has tried wearing a few prosthetic arms since - including cosmetic prosthetics and mechanical prosthetics - all of which he found not convenient and comfortable to use in daily life.

He started wearing Vulcan arm since 2020 and has since become a big fan. He uses it to drive motorbike - taking his grandkids to school - helps his wife with cooking, fixing stuff around the house, and even doing haircut for his family members during covid lockdown period.



Vulcan Augmetics

USA: DE 19801, USA New 4:37 1007N Orange St.
4th, Flr 934, Willington, DE 19801

Singapore: 531A Upper Cross Street, Singapore,
051531

Vietnam: 197 Nguyen Hoang, An Phu ward,
District 2, Ho Chi Minh, Vietnam

Tel: (+84) 3 3838 0737

wearevulcan.com

